

What is it ?

The fast easy-up inflated structure from Vision-One, perfect for one-day events or mobile activities without the need for constant power. Supplied complete and ready for use, the package includes transportation bag, stakes, curtain sides and a hand pump.



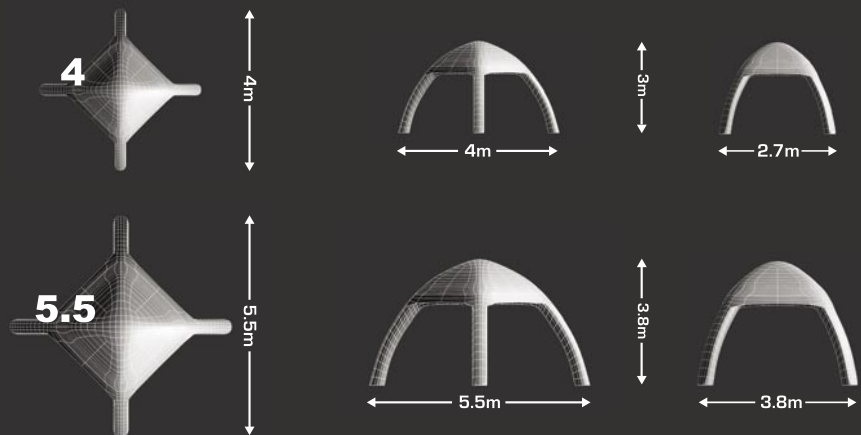
Welcome Roof

How Big is it ?

The Welcome Roof is available in 2 diameters

4m (L) - 5-8

5.5m (XL) - 10-12



What can I add to it ?

Jigsaw Ballast System
Electric 12v Rechargeable Pump
Multimedia QT Frameworks

Flooring Systems
Desk & Bespoke Internals
Shark Fins

DoNuts Table-Seating
Sticks
Audio-Visual

Connection Tunnel
e:Pod
*see accessories sheet



For further information on this product and accessories please visit www.welcomeroof.co.uk

